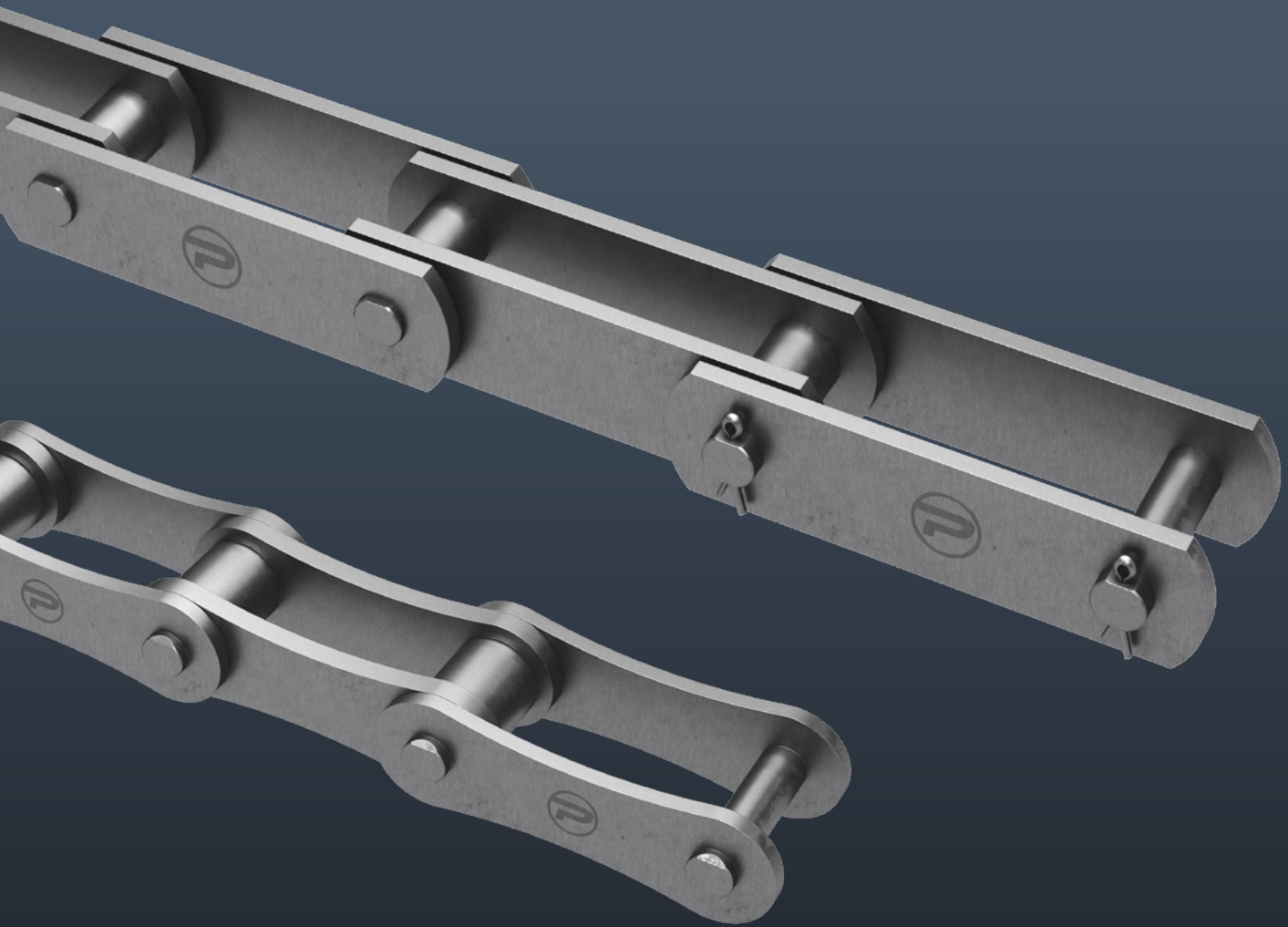


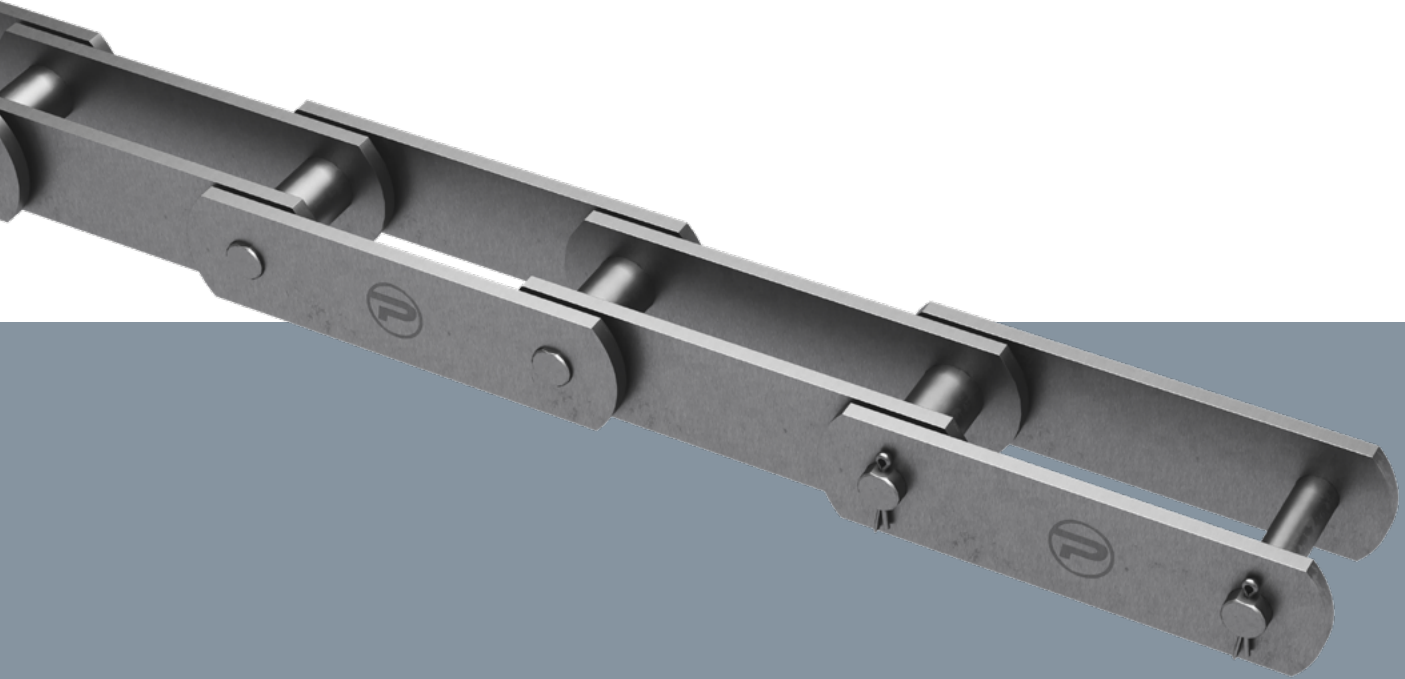
# / CONVEYOR CHAINS



**PROTORQUE®**

# / Conveyor Chains

Protorque conveyor chains are a great solution when you need to transport unit loads and bulk goods. The chains are suitable for a variety of standard conveying purposes and can be used in many industries, such as food and beverage, agriculture, and wood industries.



# / With Protorque you will get:

A fit-for-function chain suitable for a broad range of industrial applications and is often used in all different industries like material handling and wood industries.

A wide product range of the most common conveyor chains – if you have a specific wish, just ask and we will find a solution to you.

Strong availability from stock (a few specific chains will not be in stock, but we will make it available for you upon request).

A sustainable supply chain from audited suppliers.

## / Properties



Temperature operating range -20°C to +120°C with standard lubrication



For the most common types of application, standard lubrication can be used on all chains directly out of the box.



Carbon steel side plates gives excellent wear resistance for increased life and decreased maintenance.



Standards ISO 1977 - DIN 8165 – DIN 8167. Meets RoHS and REACH requirements.

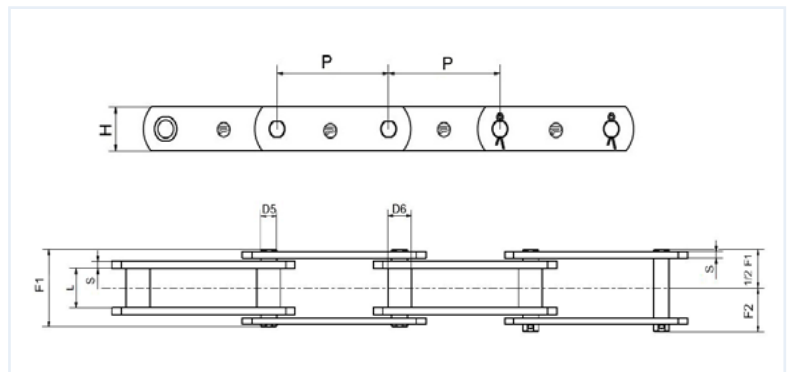


# / Conveyor Chains

## Type M

Protorque conveyor chains are suitable for larger bulk handling and demanding applications. A cost-effective and reliable chain constructed according to established standard.

Temperature operating range between -10°C to +80 °C with standard lubrication. Carbon steel side plates gives excellent wear resistance for increased life and decreased maintenance. Protorque chains are ISO 1977 - DIN 8165 - DIN 8167 and meet RoHS and REACH requirements.



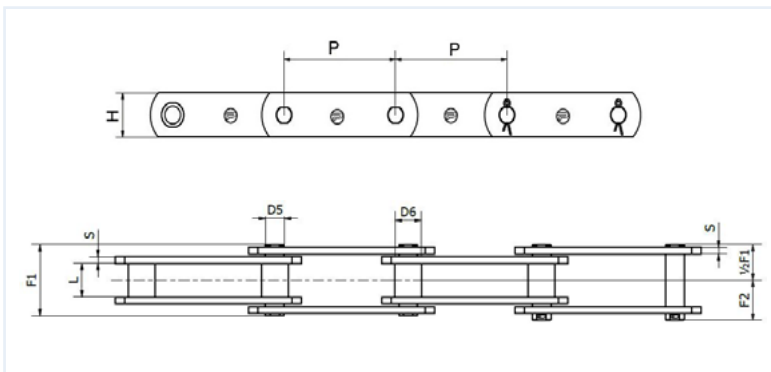
M-Chain											
Size	Pitch p, [mm]	Acc. to standard	b1 min [mm]	d1 max [mm]	d2 max [mm]	H max [mm]	Innerplate thickness [mm]	Outerplate thickness [mm]	F1 max [mm]	Breaking load min. [kN]	Weight, [kg/m]
M56	63	DIN 8167	24	15	10	30	4	4	45	56	3,32
M56	80	DIN 8167	24	15	10	30	4	4	45	56	3,01
MC56	80	DIN 8168	24	21	15,5	35	4	4	45	56	3,5
M56	100	DIN 8167	24	15	10	30	4	4	45	56	2,79
M56	125	DIN 8167	24	15	10	30	4	4	45	56	2,6
M80	80	DIN 8167	28	18	12	35	5	5	54,5	80	4,65
M80	100	DIN 8167	28	18	12	35	5	5	54,5	80	4,27
M80	125	DIN 8167	28	18	12	35	5	5	54,5	80	3,97
M112	80	DIN 8167	32	21	15	40	6	6	63	112	6,75
M112	100	DIN 8167	32	21	15	40	6	6	63	112	6,15
M112	125	DIN 8167	32	21	15	40	6	6	63	112	5,69
M112	160	DIN 8167	32	21	15	40	6	6	63	112	5,26
M160	100	DIN 8167	37	25	18	50	7	7	72	160	9,7
M160	125	DIN 8167	37	25	18	50	7	7	72	160	8,85
M160	160	DIN 8167	37	25	18	50	7	7	72	160	8,15
M224	125	DIN 8167	43	30	21	60	8	8	84	224	13,1
M224	160	DIN 8167	43	30	21	60	8	8	84	224	11,9
M224	200	DIN 8167	43	30	21	60	8	8	84	224	11,1

# / Conveyor Chains

## Type FV

Protorque conveyor chains are suitable for larger bulk handling and demanding applications. A cost-effective and reliable chain constructed according to established standard.

Temperature operating range between -10°C to +80 °C with standard lubrication. Carbon steel side plates gives excellent wear resistance for increased life and decreased maintenance. Protorque chains are ISO 1977 - DIN 8165 - DIN 8167 and meet RoHS and REACH requirements.



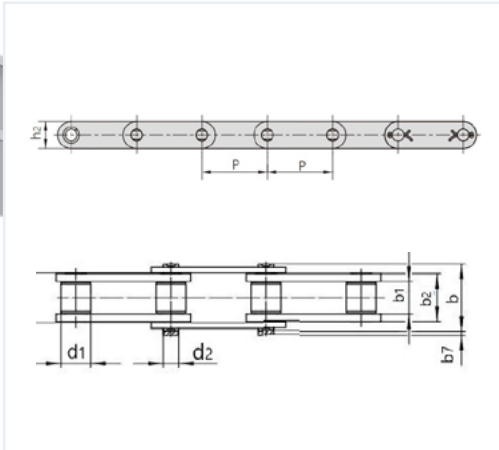
FV-Chain

Size	Pitch p, [mm]	Acc. to standard	b1 min [mm]	d1 max [mm]	d2 max [mm]	H max [mm]	Innerplate thickness [mm]	Outerplate thickness [mm]	F1 max [mm]	Breaking load min.[kN]	Weight, [kg/m]
FV63	100	DIN 8165	22	18	12	30	4	4	45	64	2,92
FV90	63	DIN 8165	25	20	14	35	5	5	53	100	5,72
FV90	100	DIN 8165	25	20	14	35	5	5	53	100	4,67
FV90	125	DIN 8165	25	20	14	35	5	5	53	100	4,35
FV112	100	DIN 8165	30	22	16	40	6	6	62	120	6,11
FV112	125	DIN 8165	30	22	16	40	6	6	62	120	5,85
FV112	100	DIN 8165	30	22	16	40	6	6	62	120	6,11
FV140	125	DIN 8165	35	26	18	45	6	6	67	145	6,78
FV140	160	DIN 8165	35	26	18	45	6	6	67	145	6,56
FV180	100	DIN 8165	45	30	20	50	8	8	86	190	11,2
FV180	160	DIN 8165	45	30	20	50	8	8	86	190	9,76

# / Conveyor Chains

## C series - Double pitch roller chains

The Protorque double pitch chains are economical conveying chain for light and slow moving applications. Available in ASA standard with straight side plates. Our sizes in stock are 1 1/4" - 2 1/2".



Size	Pitch, p [mm]	Pitch, p [inch]	b1 min. [mm]	d1 max. [mm]	Breaking load min. [ton]	Breaking load min. [kN]	Weight [kg/m]
C2050	31,75	1 1/4"	9,53	10,16	2,65	26,5	0,8
C2060	38,1	1 1/2"	12,7	11,91	3,8	38	1,6
C2080	50,8	2"	15,88	15,88	6,6	66	2,4
C2100	63,5	2 1/2"	19,05	19,05	10,9	109	3,6

# / Conveyor Chains

## Rubber top roller chains

These chains are available in simplex design sizes 08B-1-16B-1 and duplex design 08B-2 - 10B-2. It's unique profile with vulcanised elastomer makes this chain ideal for applications where fragile goods require gentle conveyor handling.

### Technical features:

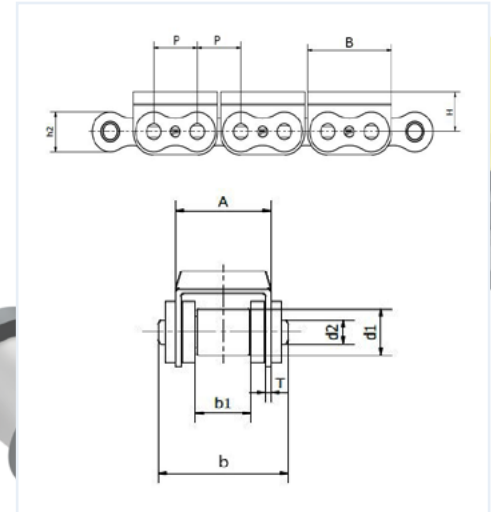
- Material: Steel
- Straight side plates: No
- Corrosion resistant: No
- Surface treatment: No
- Maintenance free: No

### Simplex

ISO standard size	Pitch, p [inch]	Pitch, p [mm]	b1 min [mm]	d1 max [mm]	A max [mm]	Bearing area, [cm <sup>2</sup> ]	Breaking load supplier min. [kN]	Weight [kg/m]
08B-1	1/2"	12,7	7,75	8,51	14,6	0,5	18	0,69
10B-1	5/8"	15,875	9,65	10,16	16,8	0,67	22,4	0,93
12B-1	3/4"	19,05	11,68	12,07	19,6	0,89	29	1,15
16B-1	1"	25,4	17,02	15,88	29,5	2,1	60	2,71

### Duplex

ISO standard size	Pitch, p [inch]	Pitch, p [mm]	b1 min [mm]	d1 max [mm]	A max [mm]	Transverse pitch pt [mm]	Bearing area, [cm <sup>2</sup> ]	Breaking load supplier min. [kN]	Weight [kg/m]
08B-2	1/2"	12,7	7,75	8,51	28,4	13,92	1,01	32	1,34
10B-2	5/8"	15,875	9,65	10,16	33,3	16,59	1,34	44,5	1,84



# / Conveyor Chains

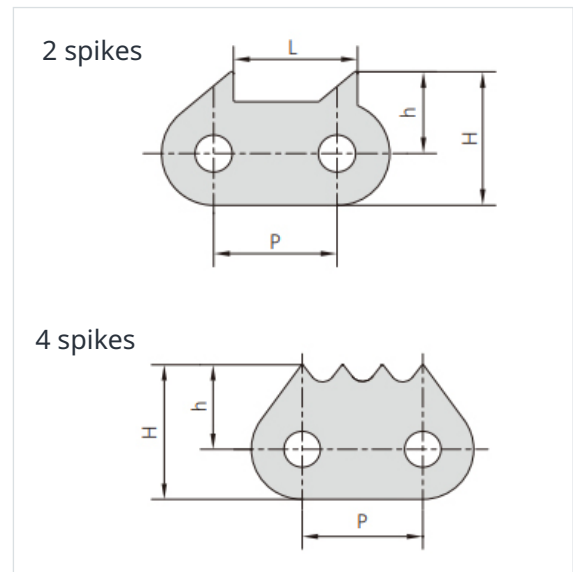
## Lumber conveyor chains

The Protorque lumber conveyor chains have the perfect design for usage within sawmill industries. We stock an assortment of the most common sizes and executions.

Available in stock are sizes 12B - 32B. Other types of chain are available upon your request.

### Technical features:

- Material: Steel
- Corosion resistant: No
- Surface treatment: No
- Maintenance Free: No
- Lubrication: Yes



ISO standard size	Pitch p, [inch]	Pitch p, [mm]	h [mm]	H [mm]	L [mm]	Spikes on outerlink	Spikes on innerlink	Bearing area, [cm <sup>2</sup> ]	Breaking load supplier min. [kn]	Weight, [kg/m]
12B-1	3/4"	19,05	12,5	20,5	19,05	2	-	0,89	29	1,15
12B-1	3/4"	19,05	13,5	21,5	-	4	4	0,89	29	1,15
16B-1	1"	25,4	17	27,5	25,4	2	-	2,1	60	2,71
16B-1	1"	25,4	16	26,5	-	4	4	2,1	60	2,71
16B-2	1"	25,4	15	25,5	-	4	4	4,21	106	5,42

\*with solid centre plate



# / AUTHORISED DISTRIBUTORS

## ➤ Acorn Industrial Services Ltd

Unit A, Denby Way,  
Hellaby Industrial Estate,  
Rotherham, S66 8HR

T: +441709 789 999

E: enquiries@acorn-ind.co.uk

W: www.acorn-ind.co.uk

## ➤ Arkov, SPOL. S R.O.

Secska 861, 538 21  
Slatinany, Czechia.

T: +420 469 364 111

E: arkov@arkov.cz

W: www.arkov.cz

## ➤ Bell

Ptujska cesta 13, Miklavž na  
Dravskem polje, Slovenia.

T: +386 26296920

E: info@bell.si

W: www.bell.si

## ➤ Industrial CZ, SPOL. S R.O.

K Hutím 1040/4, 198  
00 Praha 9.

T: +420 283 891 466

E: industrial@industrial.cz

W: www.industrial.cz

## ➤ Jens S. Transmissioner A/S

Hørskættén 7, DK-2630  
Taastrup, Denmark.

T: +45 70 13 83 33

E: info@jens-s.dk

W: www.jens-s.dk

## ➤ OY Jens S. AB

Martinkyläntie 52,  
01720 Vantaa, Finland.

T: +358 9 8676 7320

E: myynti@jens-s.fi

W: www.jens-s.fi

## ➤ Jens S. Transmisjoner AS

Enebakkveien 117  
0680 Oslo, Norway.

T: +47 23 06 04 00

E: post@jens-s.no

W: www.jens-s.no

## ➤ Jens S. Transmissioner AB

Säterivägen 27,  
605 97 Norrköping, Sweden.

T: +46 11 19 80 00

E: forfragan@jens-s.se

W: www.jens-s.se

## ➤ Spruit Transmissies BV

Ivoorstraat 4, 1812 RE  
Alkmaar, PO Box 85, 1800  
AB Alkmaar

T: +31 072 5412000

E: sales@spruit.nl

W: www.spruit.nl

## ➤ Town & County Engineering Services

Wardentree Lane,  
Pinchbeck, Spalding, PE11  
3UG

T: +441775 725 678

E: sales@tces.co.uk

W: www.tces.co.uk

## ➤ Protorque

Registered address:  
Unit A, Denby Way,  
Hellaby Industrial Estate,  
Rotherham, S66 8HR

W: www.protorque.net

