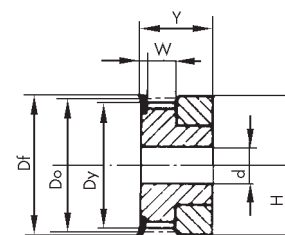


# Kuggremskivor i aluminium

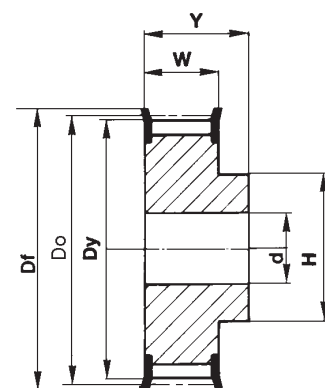
## Typ MXL

Delning 2,032 mm (0,08") (för remsbredd 6,4 mm 0,25")

Art nr	Tand- antal	Typ	Do mm	Dy mm	Df mm	H mm	W mm	Y mm	d mm
15 MXL-12-2	12	2	7,76	7,26		10	10	15	4
15 MXL-14-2	14	2	9,06	8,56		11	10	15	4
15 MXL-15-2	15	2	9,70	9,19		12	10	15	4
15 MXL-16-2	16	2	10,35	9,83		13	10	15	4
15 MXL-18-2	18	2	11,64	11,13		16	10	15	4
15 MXL-20-2	20	2	12,94	12,42		17	10	15	4
15 MXL-22-2	22	2	14,23	13,72		18	10	15	4
15 MXL-24-2	24	2	15,52	15,01		19	10	15	4
15 MXL-25-2	25	2	16,17	15,66		19	10	15	4
15 MXL-26-2	26	2	16,82	16,30		20	10	15	5
15 MXL-28-2	28	2	18,11	17,60		21	10	15	5
15 MXL-30-2	30	2	19,40	18,89		16	10	15	5
15 MXL-32-2	32	2	20,70	20,19		16	10	15	5
15 MXL-36-2	36	2	23,29	22,78		16	10	15	5
15 MXL-40-2	40	2	25,87	25,36		16	10	15	5
15 MXL-48-2	48	2	31,05	30,53		16	10	15	5
15 MXL-60-0	60	3	38,81	38,30		20	10	15	6
15 MXL-72-0	72	3	46,57	46,06		20	10	15	6
15 MXL-80-0	80	3	51,74	51,23		20	10	15	6
15 MXL-100-0	100	3	64,68	64,17		20	10	15	6
15 MXL-120-0	120	3	77,62	77,11		20	10	15	6
15 MXL-156-0	156	3	100,95	100,39		20	10	15	6



TYP 1



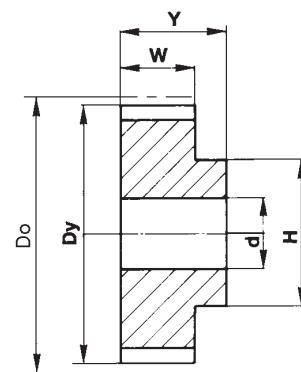
TYP 2

I samtliga MXL-hjul ingår stoppskruv M3 i navet.

## Typ T2,5

Delning 2,5 (för remsbredd 6 mm)

Art nr	Tand- antal	Typ	Do mm	Dy mm	Df mm	H mm	W mm	Y mm	d mm
16 T2,5-12-2	12	1	9,55	9,00	13,0	12	9	16	-
16 T2,5-14-2	14	1	11,15	10,60	15,0	14	9	16	-
16 T2,5-15-2	15	1	11,94	11,40	15,0	15	9	16	-
16 T2,5-16-2	16	1	12,75	12,20	16,0	16	9	16	-
16 T2,5-18-2	18	2	14,33	13,80	17,8	10	10	16	-
16 T2,5-19-2	19	2	15,13	14,60	20,0	10	10	16	-
16 T2,5-20-2	20	2	15,92	15,40	20,0	11	10	16	-
16 T2,5-22-2	22	2	17,55	17,00	22,0	11	10	16	-
16 T2,5-24-2	24	2	19,11	18,55	22,0	12	10	16	4
16 T2,5-25-2	25	2	19,90	19,35	25,0	13	10	16	4
16 T2,5-26-2	26	2	20,70	20,15	26,0	14	10	16	4
16 T2,5-28-2	28	2	22,30	21,75	26,0	14	10	16	4
16 T2,5-30-2	30	2	23,88	23,35	26,0	16	10	16	6
16 T2,5-32-2	32	2	25,48	24,95	32,0	16	10	16	6
16 T2,5-36-2	36	2	28,66	28,10	36,0	20	10	16	6
16 T2,5-40-2	40	2	31,85	31,30	38,0	22	10	16	6
16 T2,5-44-0	44	3	35,05	34,50	-	24	10	16	6
16 T2,5-48-0	48	3	38,22	37,70	-	26	10	16	6
16 T2,5-60-0	60	3	47,77	47,25	-	34	10	16	8

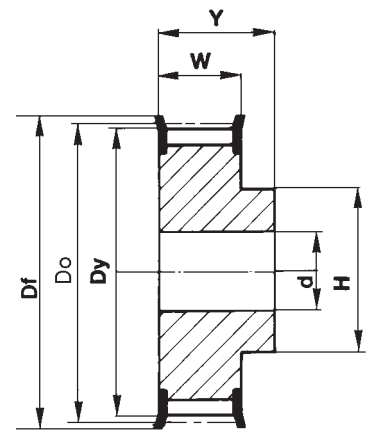


TYP 3

# Kuggremskivor i aluminium T5 och AT5

## Delning T5 och AT5 (för remsbredd 10 mm)

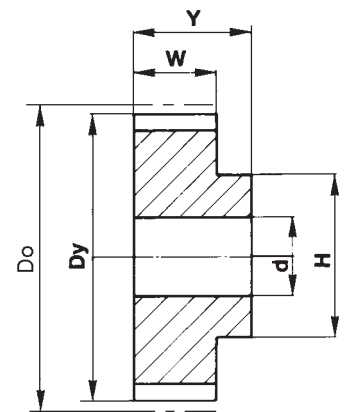
Art nr	Tandantal	Typ	Do mm	Dy mm	Df mm	H mm	W mm	Y mm	d mm
21 T5-10-2	10	2	15,92	15,05	19,5	8	15	21	-
21 (X)XX-12-2	12	2	19,10	18,25	23,0	11	15	21	-
21 (X)XX-14-2	14	2	22,28	21,45	25,0	14	15	21	-
21 (X)XX-15-2	15	2	23,87	23,05	28,0	16	15	21	6
21 (X)XX-16-2	16	2	25,46	24,60	32,0	18	15	21	6
21 (X)XX-18-2	18	2	28,65	27,80	32,0	20	15	21	6
21 (X)XX-19-2	19	2	30,24	29,40	36,0	22	15	21	6
21 (X)XX-20-2	20	2	31,83	31,00	36,0	23	15	21	6
21 (X)XX-22-2	22	2	35,01	34,25	38,0	24	15	21	6
21 (X)XX-24-2	24	2	38,20	37,40	42,0	26	15	21	6
21 (X)XX-25-2	25	2	39,79	39,00	44,0	26	15	21	6
21 (X)XX-26-2	26	2	41,38	40,60	44,0	26	15	21	6
21 (X)XX-27-2	27	2	42,97	42,20	48,0	30	15	21	8
21 (X)XX-28-2	28	2	44,56	43,75	48,0	32	15	21	8
21 (X)XX-30-2	30	2	47,75	46,95	51,0	34	15	21	8
21 (X)XX-32-2	32	2	50,93	50,10	54,0	38	15	21	8
21 (X)XX-36-2	36	2	57,30	56,45	64,0	38	15	21	8
21 (X)XX-40-2	40	2	63,66	62,85	66,5	40	15	21	8
21 (X)XX-42-2	42	2	66,85	66,00	70,0	40	15	21	8
21 (X)XX-44-0	44	3	70,03	69,20	-	45	15	21	8
21 (X)XX-48-0	48	3	76,39	75,55	-	50	15	21	8
21 (X)XX-60-0	60	3	95,49	94,65	-	65	15	21	8



TYP 2

## Delning T5 och AT5 (för remsbredd 16 mm)

Art nr	Tandantal	Typ	Do mm	Dy mm	Df mm	H mm	W mm	Y mm	d mm
27 T5-10-2	10	2	15,92	15,05	19,5	8	21	27	-
27 (X)XX-12-2	12	2	19,10	18,25	23,0	11	21	27	-
27 (X)XX-14-2	14	2	22,28	21,45	25,0	14	21	27	-
27 (X)XX-15-2	15	2	23,87	23,05	28,0	16	21	27	6
27 (X)XX-16-2	16	2	25,46	24,60	32,0	18	21	27	6
27 (X)XX-18-2	18	2	28,65	27,80	32,0	20	21	27	6
27 (X)XX-19-2	19	2	30,24	29,40	36,0	22	21	27	6
27 (X)XX-20-2	20	2	31,83	31,00	36,0	23	21	27	6
27 (X)XX-22-2	22	2	35,01	34,25	38,0	24	21	27	6
27 (X)XX-24-2	24	2	38,20	37,40	42,0	26	21	27	6
27 (X)XX-25-2	25	2	39,79	39,00	44,0	26	21	27	6
27 (X)XX-26-2	26	2	41,38	40,60	44,0	26	21	27	6
27 (X)XX-27-2	27	2	42,97	42,20	48,0	30	21	27	8
27 (X)XX-28-2	28	2	44,56	43,75	48,0	32	21	27	8
27 (X)XX-30-2	30	2	47,75	46,95	51,0	34	21	27	8
27 (X)XX-32-2	32	2	50,93	50,10	54,0	38	21	27	8
27 (X)XX-36-2	36	2	57,30	56,45	64,0	38	21	27	8
27 (X)XX-40-2	40	2	63,66	62,85	66,5	40	21	27	8
27 (X)XX-42-2	42	2	66,85	66,00	70,0	40	21	27	8
27 (X)XX-44-0	44	3	70,03	69,20	-	45	21	27	8
27 (X)XX-48-0	48	3	76,39	75,55	-	50	21	27	8
27 (X)XX-60-0	60	3	95,49	94,65	-	65	21	27	8



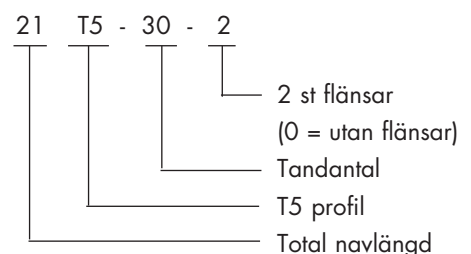
TYP 3

Tandantal 10 endast i profil T5

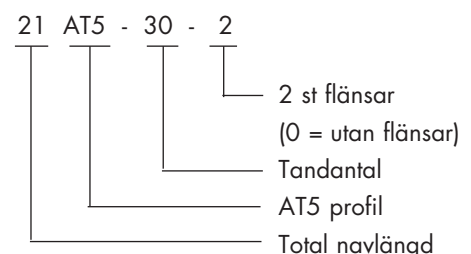
## Delning T5 och AT5 (för remsbredd 25 mm)

Art nr	Tandantal	Typ	Do mm	Dy mm	Df mm	H mm	W mm	Y mm	d mm
36 T5-10-2	10	2	15,92	15,05	19,5	8	30	36	-
36 (X)XX-12-2	12	2	19,10	18,25	23,0	11	30	36	-
36 (X)XX-14-2	14	2	22,28	21,45	25,0	14	30	36	-
36 (X)XX-15-2	15	2	23,87	23,05	28,0	16	30	36	6
36 (X)XX-16-2	16	2	25,46	24,60	32,0	18	30	36	6
36 (X)XX-18-2	18	2	28,65	27,80	32,0	20	30	36	6
36 (X)XX-19-2	19	2	30,24	29,40	36,0	22	30	36	6
36 (X)XX-20-2	20	2	31,83	31,00	36,0	23	30	36	6
36 (X)XX-22-2	22	2	35,01	34,25	38,0	24	30	36	6
36 (X)XX-24-2	24	2	38,20	37,40	42,0	26	30	36	8
36 (X)XX-25-2	25	2	39,79	39,00	44,0	26	30	36	8
36 (X)XX-26-2	26	2	41,38	40,60	44,0	26	30	36	8
36 (X)XX-27-2	27	2	42,97	42,20	48,0	30	30	36	8
36 (X)XX-28-2	28	2	44,56	43,75	48,0	32	30	36	8
36 (X)XX-30-2	30	2	47,75	46,95	51,0	34	30	36	8
36 (X)XX-32-2	32	2	50,93	50,10	54,0	38	30	36	8
36 (X)XX-36-2	36	2	57,30	56,45	64,0	38	30	36	8
36 (X)XX-40-2	40	2	63,66	62,85	66,5	40	30	36	8
36 (X)XX-42-2	42	2	66,85	66,00	70,0	40	30	36	8
36 (X)XX-44-0	44	3	70,03	69,20	-	45	30	36	8
36 (X)XX-48-0	48	3	76,39	75,55	-	50	30	36	8
36 (X)XX-60-0	60	3	95,49	94,65	-	65	30	36	8

Exempel T5



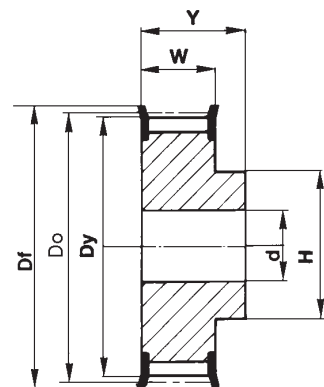
Exempel AT5



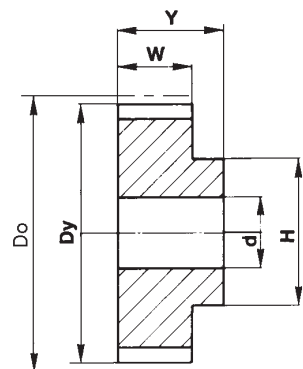
# Kuggremskivor i aluminium T10 och AT10

## Delning T10 och AT10 (för remsbredd 16 mm)

Art nr antal	Tand-	Typ mm	Do mm	Dy mm	Df mm	H mm	W mm	Y mm	d mm
31 (X)XX-12-2	12	2	38,20	36,35	42	28	21	31	6
31 (X)XX-14-2	14	2	44,56	42,70	48	32	21	31	8
31 (X)XX-15-2	15	2	47,75	45,90	51	32	21	31	8
31 (X)XX-16-2	16	2	50,93	49,05	54	35	21	31	8
31 (X)XX-18-2	18	2	57,30	55,45	60	40	21	31	8
31 (X)XX-19-2	19	2	60,48	58,60	66	44	21	31	8
31 (X)XX-20-2	20	2	63,66	61,80	66	46	21	31	8
31 (X)XX-22-2	22	2	70,03	68,15	75	52	21	31	8
31 (X)XX-24-2	24	2	76,39	74,55	83	58	21	31	8
31 (X)XX-25-2	25	2	79,58	77,70	83	60	21	31	8
31 (X)XX-26-2	26	2	82,76	80,90	87	60	21	31	8
31 (X)XX-27-2	27	2	85,94	84,10	91	60	21	31	8
31 (X)XX-28-2	28	2	89,13	87,25	93	60	21	31	8
31 (X)XX-30-2	30	2	95,49	93,65	97	60	21	31	8
31 (X)XX-32-2	32	2	101,86	100,00	106	65	21	31	10
31 (X)XX-36-2	36	2	114,59	112,75	119	70	21	31	10
31 (X)XX-40-2	40	2	127,32	125,45	131	80	21	31	10
31 (X)XX-44-0	44	3	140,06	138,20	-	88	21	31	10
31 (X)XX-48-0	48	3	152,79	150,95	-	95	21	31	16
31 (X)XX-60-0	60	3	190,99	189,15	-	110	21	31	16



TYP 2



TYP 3

## Delning T10 och AT10 (för remsbredd 25 mm)

Art nr antal	Tand-	Typ mm	Do mm	Dy mm	Df mm	H mm	W mm	Y mm	d mm
40 (X)XX-12-2	12	2	38,20	36,35	42	28	30	40	6
40 (X)XX-14-2	14	2	44,56	42,70	48	32	30	40	8
40 (X)XX-15-2	15	2	47,75	45,90	51	32	30	40	8
40 (X)XX-16-2	16	2	50,93	49,05	54	35	30	40	8
40 (X)XX-18-2	18	2	57,30	55,45	60	40	30	40	8
40 (X)XX-19-2	19	2	60,48	58,60	66	44	30	40	8
40 (X)XX-20-2	20	2	63,66	61,80	66	46	30	40	8
40 (X)XX-22-2	22	2	70,03	68,15	75	52	30	40	8
40 (X)XX-24-2	24	2	76,39	74,55	83	58	30	40	8
40 (X)XX-25-2	25	2	79,58	77,70	83	60	30	40	8
40 (X)XX-26-2	26	2	82,76	80,90	87	60	30	40	8
40 (X)XX-27-2	27	2	85,94	84,10	91	60	30	40	8
40 (X)XX-28-2	28	2	89,13	87,25	93	60	30	40	8
40 (X)XX-30-2	30	2	95,49	93,65	97	60	30	40	8
40 (X)XX-32-2	32	2	101,86	100,00	106	65	30	40	10
40 (X)XX-36-2	36	2	114,59	112,75	119	70	30	40	10
40 (X)XX-40-2	40	2	127,32	125,45	131	80	30	40	10
40 (X)XX-44-0	44	3	140,06	138,20	-	88	30	40	10
40 (X)XX-48-0	48	3	152,79	150,95	-	95	30	40	10
40 (X)XX-60-0	60	3	190,99	189,15	-	110	30	40	10

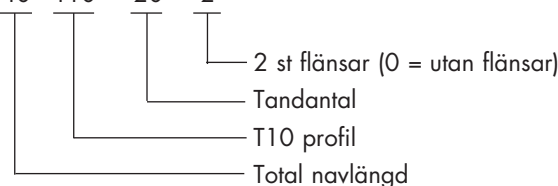
## Delning T10 och AT10 (för remsbredd 32 mm)

Art nr antal	Tand-	Typ mm	Do mm	Dy mm	Df mm	H mm	W mm	Y mm	d mm
47 (X)XX-18-2	18	2	57,30	55,45	60	40	37	47	12
47 (X)XX-19-2	19	2	60,48	58,60	66	44	37	47	12
47 (X)XX-20-2	20	2	63,66	61,80	66	46	37	47	12
47 (X)XX-22-2	22	2	70,03	68,15	75	52	37	47	12
47 (X)XX-24-2	24	2	76,39	74,55	83	58	37	47	12
47 (X)XX-25-2	25	2	79,58	77,70	83	60	37	47	12
47 (X)XX-26-2	26	2	82,76	80,90	87	60	37	47	12
47 (X)XX-27-2	27	2	85,94	84,10	91	60	37	47	12
47 (X)XX-28-2	28	2	89,13	87,25	93	60	37	47	12
47 (X)XX-30-2	30	2	95,49	93,65	97	60	37	47	12
47 (X)XX-32-2	32	2	101,86	100,00	106	65	37	47	12
47 (X)XX-36-2	36	2	114,59	112,75	119	70	37	47	16
47 (X)XX-40-2	40	2	127,32	125,45	131	80	37	47	16
47 (X)XX-44-0	44	3	140,06	138,00	-	88	37	47	16
47 (X)XX-48-0	48	3	152,79	150,95	-	95	37	47	16
47 (X)XX-60-0	60	3	190,99	189,15	-	110	37	47	16

## Delning T10 och AT10 (för remsbredd 50 mm)

Art nr antal	Tand-	Typ mm	Do mm	Dy mm	Df mm	H mm	W mm	Y mm	d mm
66 (X)XX-18-2	18	2	57,30	55,45	60	40	56	66	12
66 (X)XX-19-2	19	2	60,48	58,60	66	44	56	66	12
66 (X)XX-20-2	20	2	63,66	61,80	66	46	56	66	12
66 (X)XX-22-2	22	2	70,03	68,15	75	52	56	66	12
66 (X)XX-24-2	24	2	76,39	74,55	83	58	56	66	12
66 (X)XX-25-2	25	2	79,58	77,70	83	60	56	66	12
66 (X)XX-26-2	26	2	82,76	80,90	87	60	56	66	12
66 (X)XX-27-2	27	2	85,94	84,10	91	60	56	66	12
66 (X)XX-28-2	28	2	89,13	87,25	93	60	56	66	12
66 (X)XX-30-2	30	2	95,49	93,65	97	60	56	66	12
66 (X)XX-32-2	32	2	101,86	100,00	106	65	56	66	12
66 (X)XX-36-2	36	2	114,59	112,75	119	70	56	66	16
66 (X)XX-40-2	40	2	127,32	125,45	131	80	56	66	16
66 (X)XX-44-0	44	3	140,06	138,20	-	88	56	66	16
66 (X)XX-48-0	48	3	152,79	150,95	-	95	56	66	16
66 (X)XX-60-0	60	3	190,99	189,15	-	110	56	66	16

Art nr ex: 40 T10 - 20 - 2



Art nr ex: 40 AT10 - 20 - 2

